



AMS Label Feeder Product Data Sheet

Manufacturer: AMS Software & Elektronik GmbH
Lise-Meitner-Strasse 9
24941 Flensburg
Germany

Mail: info@amsde.com
Phone: +49 461 903980

Model: **ALF12**

Order Number: **49213**

Data sheet version: 1.0 – 17.06.2015

Firmware Version: 12.01.10

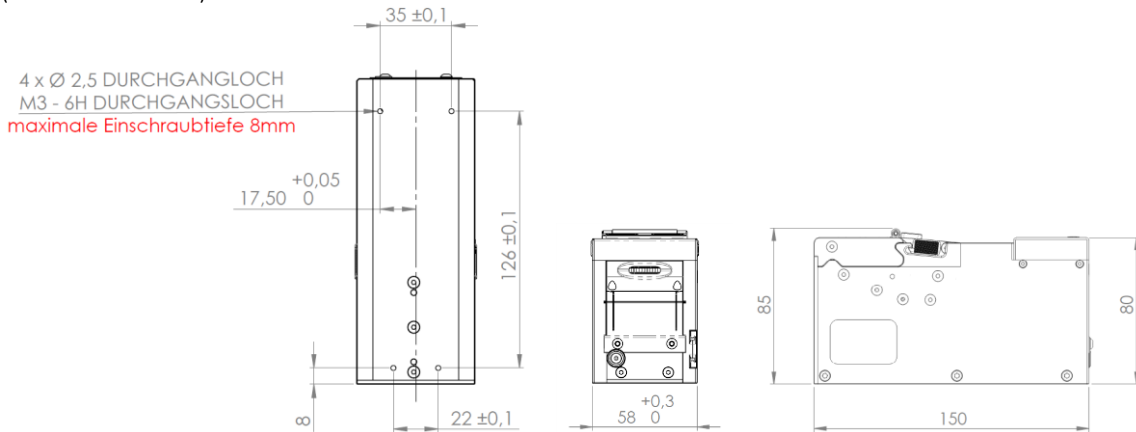
Description: AMS Label Feeders separate labels of different material from liner material and provide them in precisely defined positions to machines for an automated pick up. Typically label feeders are used as central part of traceability solutions: Integrated to machines placing components to assemblies e.g. in electronic manufacturing they allow a robust process applying uniquely serialized labels to products for traceability purposes, specifically where machine-readable bar code labels are used.

Label support: Most labels min. 5x5mm to max. 30x30mm, liner width min. 12mm to max. 34mm. Label material e.g. paper and polyimide. Label sensor designed for nontransparent material.

Product Picture:



Product dimensions:
(Measurements in mm)



Label positioning accuracy: x-direction (transportation direction): 0.8mm
y-direction (transverse to transportation direction): depends on manual guiding block adjustment

Weight: 600 gr / 1.32 lb



Min / max ratings: Voltage 24V, power consumption max. 24W, average current consumption max. 1A
Storage temperature range: 0° - 40°



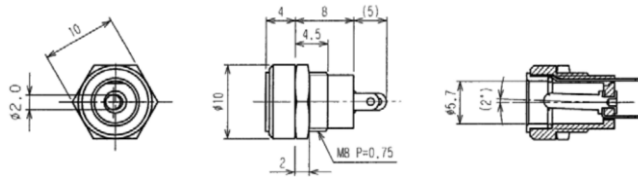
AMS Label Feeder Product Data Sheet

Operating conditions: Recommended 15°C-30°C

Package & delivery sizes: If ordered with machine adapter, the label feeder ships readily mounted in a paperboard container:
Standard package size: 85 x 30 x 9 cm / 33.46 x 11.81 x 3 inch. Weight: 600 gr / 1.32 lb
If ordered without machine adapter, the label feeder ships in a paperboard container:
Standard package size: 30 x 20 x 9 cm / 11.81 x 7.87 x 3 inch. Weight: 1500gr / 3.31 lb

Application recommendation: For safe and reliable operation it is important to always use the label feeder base product ALF12 with AMS integration solution (e.g. machine adapters)

Connector Pinout: Inner contact: V+ 24V
Outer contact: Ground



Firmware Description

The feeder model ALF12 is designed for completely autonomous operation. There is no signal interface built in for controlling or monitoring the feeder by external logic. The product senses a label pick-up and triggers the transport of the next label. The label feeder firmware allows to adjust following operation parameters:

- Transportation speed: 10 – 120 mm/s. Default 80mm/s (max. speed allows approx. 3 label picks per second with standard label size 6.35x6.35mm)
- Label pick position: 4.0 to 25.0mm offset relative to label sensor in transportation direction
- Delay time: 1 – 999 ms after pick of label until next transportation cycle is triggered
- Gap: 5.0 – 99.9mm max. transportation distance where labels are missing on liner. Default: 50mm
- Feed: 3 – 30mm transportation distance at manual trigger with FEED button. Default 5mm
- Transportation acceleration (Ramp) 0.1 – 2.0 m/s². Default 0.8 m/s²
- Transportation deceleration (Hold) (-1) – (-100) m/s².

Disclaimer:

To the best of our knowledge, the technical data contained herein is true and accurate at the date of issuance and is subject to change without prior notice. User must contact AMS to verify correctness before specifying or ordering. No guarantee of accuracy is given or implied.